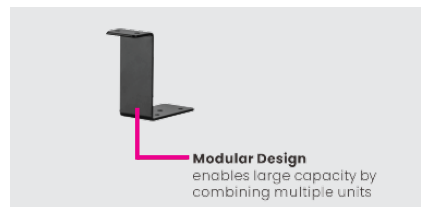
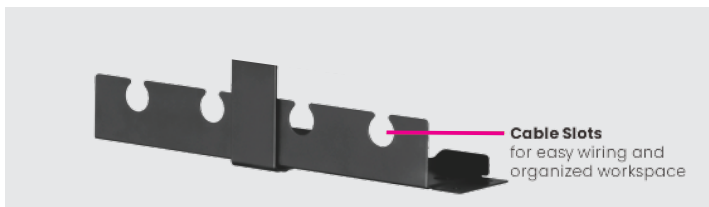
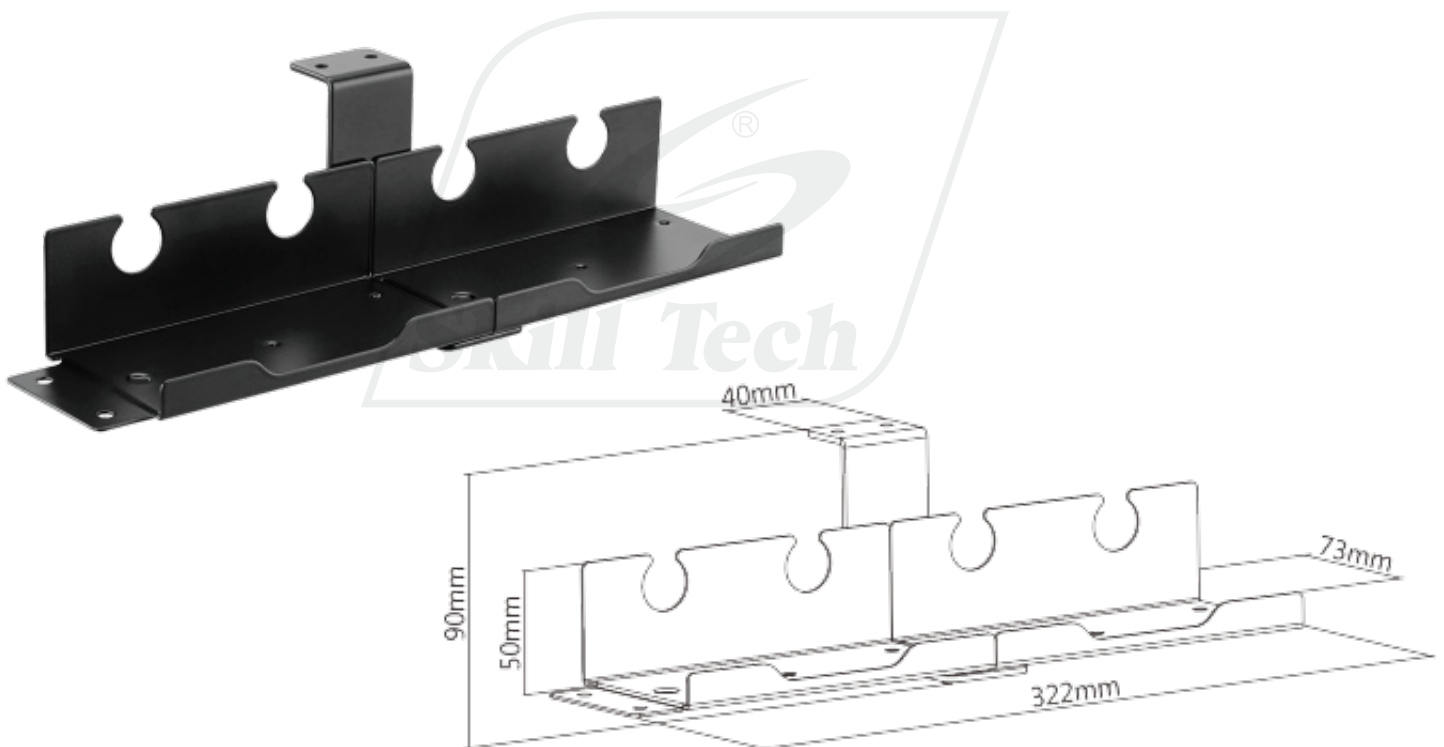


SH MH02-5

Under-Desk Modular Power Strip Holder



Weight Capacity
1 Kg